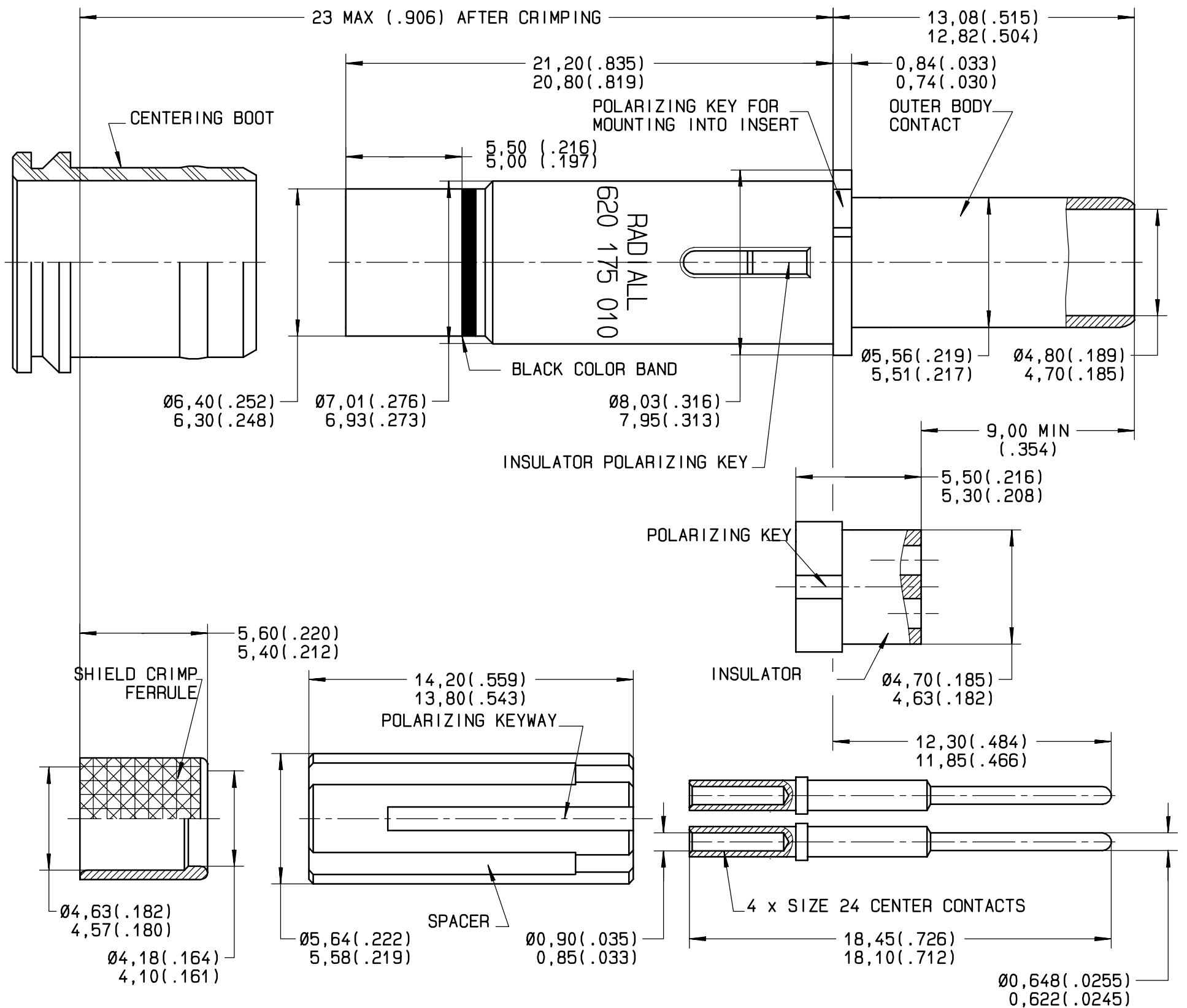




Series
NSX

SIZE 8 QUADRAX PIN CONTACT
QUAD ETHERNET CABLE
(SEE NOTES)

Issue: 18 FEBRUARY 2003
Page 1 / 1



***MATERIAL:**

- OUTER, CENTER CONTACTS AND FERRULE: BRASS PER QQ-B-626
- INSULATOR, SPACER AND CENTERING BOOT: FPTE PER ASTM-D-1710 OR EQUIVALENT

***FINISH:**

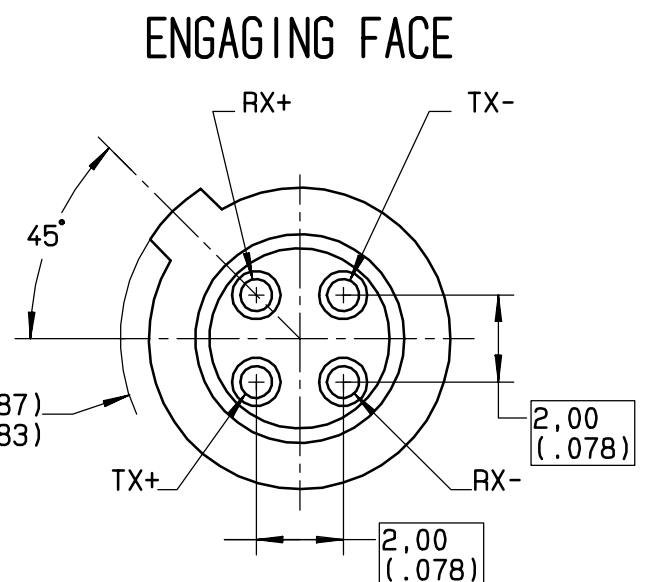
- ALL METAL PARTS:
PLATING .00005 INCH OF GOLD PER MIL-G-45204 TYPE I OR II
GRADE C OR D CLASS 1 OVER NICKEL PER QQ-N-290

***EXTRACTION TOOL:**

- M81969/28.03 (RADIALL: 282 549 001) OR M81969/14-06

WIRING INSTRUCTIONS: SEE RP55178

CABLES	
MANUFACTURER	P/N
DRAKA FILECA	F 4703-3
AXON	TBD
HABIA	TBD



This information is given as an indication. In the continual goal to improve our products, we reserve the right to make any modifications judged necessary.

4112-9610

CREATION	18 FEB 03	Add black color band of contact body	COUTHON	.
	19-07-02	MODIF CENTERING BOOT	COUTHON	MACARI
PEN: M000004358B	04/09/02	Added M81969/14-06	B VDM	MACARI
	21MARCH02	MODIFICATION SPACER	COUTHON	MACARI
NOM: B VAN DEN	10/10/01	Updated quadrax transmission ways	Macari	B VDM
DATE: 04-17-01	09/14/01	Updated quadrax transmission ways	Macari	B VDM
APPR.: .	09/05/01	Added centering boot	Macari	B VDM
	Issue	Revisions	Name	Approved